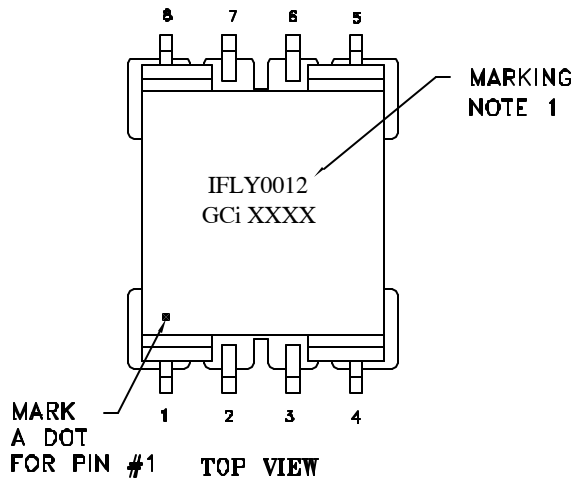
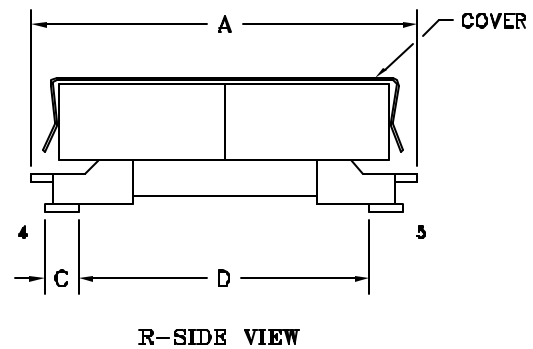
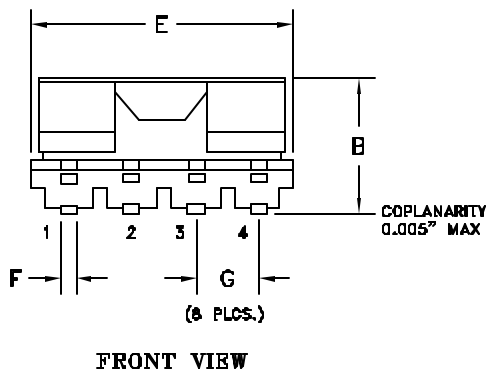


MECHANICAL REQUIREMENTS:



DIMENSIONS TABLE		
REF.	mm	INCHES
A	25.4 MAX	1.00 MAX
B	9.14 MAX	0.36 MAX
C	1.5±0.5	0.06±0.02
D	16.0±0.5	0.63±0.02
E	17.0 MAX	0.67 MAX
F	1.0	0.039
G	3.75±0.25	0.148±0.010

UNLESS OTHERWISE SPECIFIED,
TOLERANCES ARE IN INCHES.
.X ±0.1, .XX ±0.01, .XXX ±0.005
ANGLE: ±.5°



ELECTRICAL REQUIREMENTS:

INDUCTANCE (8-1): 6.0µH ±10% @ 100KHz, 1V

LEAKAGE INDUCTANCE (8-1): 0.2µH MAX @ 100KHz, 1V 7,2,6,3,5,4 SHORTED

URNS RATIO (7-2):(6-3)=1.00 ±3% @ 100KHz, 1V
(7-2):(5-4)=1.00 ±3%
(7-2):(8-1)=3.00 ±3%

RDC (8-1): 10 mΩ REF
(7-2): 180 mΩ REF
(6-3): 190 mΩ REF
(5-4): 210 mΩ REF

HIPOT: 500VAC 1 SECOND BETWEEN PIN 8 AND 7,6,5

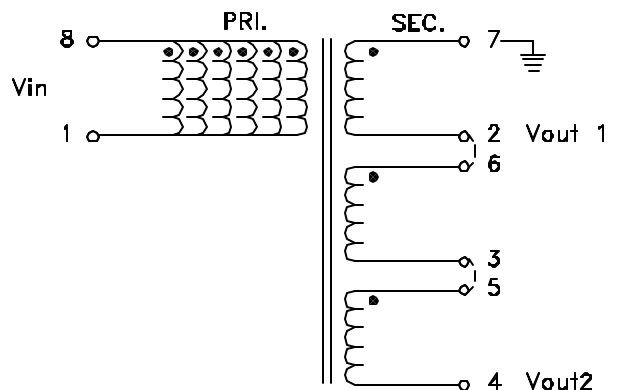
RECOMMENDED SWITCHING FREQUENCY: 200KHz

Vin: 9V - 20V

Vout1: +24V, 100mA NOMINAL 150mA MAX

Vout 2: +72V, 100mA NOMINAL 150mA MAX

SCHEMATIC:



REV	DESCRIPTION	DATE	BY	TITLE: FLYBACK TRANSFORMER			
0	CREATING ONE PAGE DRAWING.	08/15/01	CST	DRWN: CST	UNITS:	CHKD:	APPD:
				DATE: 08/15/01	SCALE: NTS	RELEASED BY:	
				GCI PART NO.: G013064	CUST PART NO.: IFLY0012		
				GCI technologies			SHEET: 1 OF 1