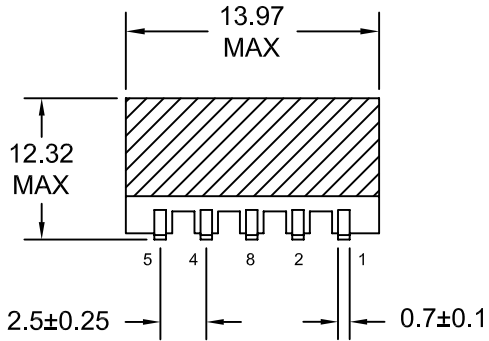


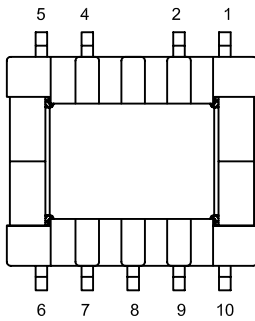
ADSL LINE TRANSFORMER P/N: G024145

:: Mechanical Requirement ::

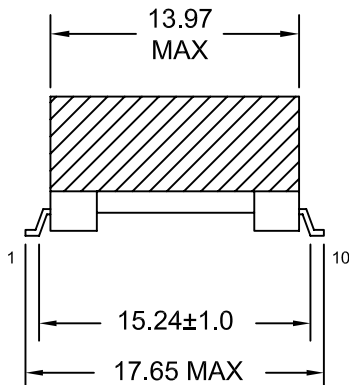
UNIT: mm



FRONT VIEW



BOTTOM VIEW



R-SIDE VIEW

:: Features ::

- FOR BROADCOM'S BCM 6345 CHIP
- EXCELLENT THD PERFORMANCE
- DESIGNED TO MEET UL 19050 SUPPLEMENTARY INSULATION REQUIREMENTS FOR WORKING VOLTAGES UP TO 250Vrms

:: Applications ::

- ADSL CPE

:: Specifications @ 25°C ::

- INDUCTANCE (1-5): 100.0 μ H \pm 5% @ 10KHz, 01Vrms,
- LEAKAGE INDUCTANCE (1-5): 6.5 μ H AX @ 100KHz, 0.1Vrms
- DRC (1-5): 0.80 OHM MAX
(10-6): 0.50 OHM MAX
- TURNS RATIO (1-5):(10-6)=2:1 REF @ 100KHz, 1V
- INTERWINDING CAPACITANCE: 25pF MAX @ 100KHz, 0.1V
- DIELECTRIC STRENGTH: 1,500VAC, 1 MINUTE
- THD (1-5): -83dB MAX @ 100KHz
- LONGITUDINAL BALANCE: 55dB MIN FROM 40KHz - 1MHz

:: Schematic ::

