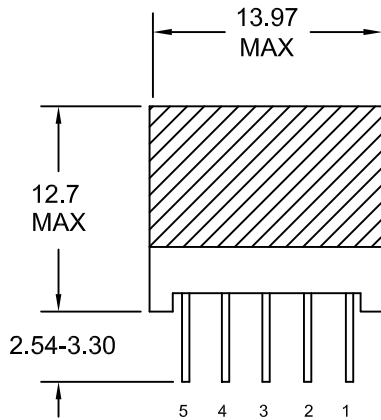


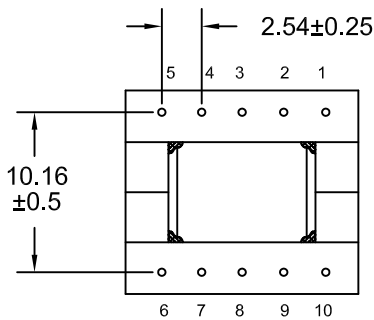
ADSL LINE TRANSFORMER P/N: G034063

:: Mechanical Requirement ::

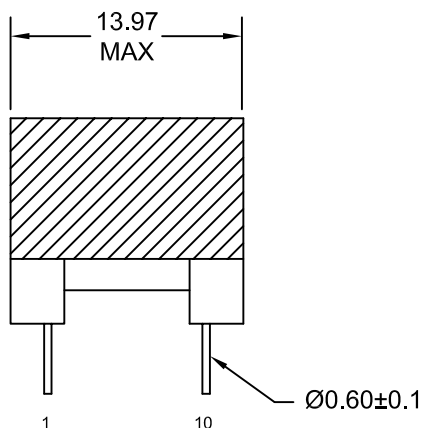
UNIT: mm



FRONT VIEW



BOTTOM VIEW



R-SIDE VIEW

:: Features ::

- FOR TEXAS INSTRUMENT'S AR7 CHIP
- EXCELLENT THD PERFORMANCE
- DESIGNED TO MEET UL 1950 SUPPLEMENTARY INSULATION REQUIREMENTS FOR WORKING VOLTAGES UP TO 250Vrms

:: Applications ::

- ADSL CPE

:: Specifications @ 25°C ::

- INDUCTANCE (1-4): 1.5mH ±5% @ 10KHz, 0.1V
- LEAKAGE INDUCTANCE (1-4): 15 μ H MAX @ 100KHz, 0.1V
- RDC (1-4): 2.2 OHM MAX
(10-7): 0.55 OHM MAX
- TURNS RATIO (1-4):(10-7)=2:1 ±2% @ 10KHz, 1V
- INTERWINDING CAPACITANCE: 40pF MAX @ 10KHz, 0.1V
- DIELECTRIC STRENGTH: 1,500VAC, 1 MINUTE
- THD: -83dB MAX MEASURED @ 30KHz
- LONGITUDINAL BALANCE: -55dB MAX FROM 20KHz - 1MHz

:: Schematic ::

