

# PI083505

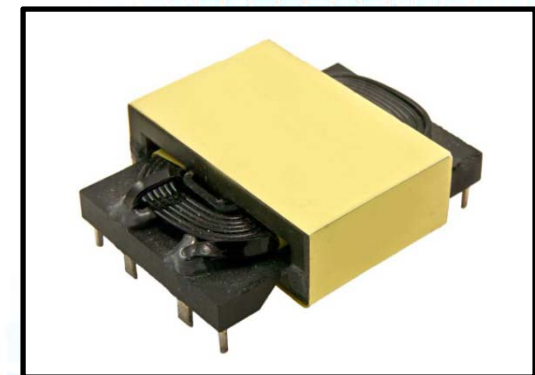
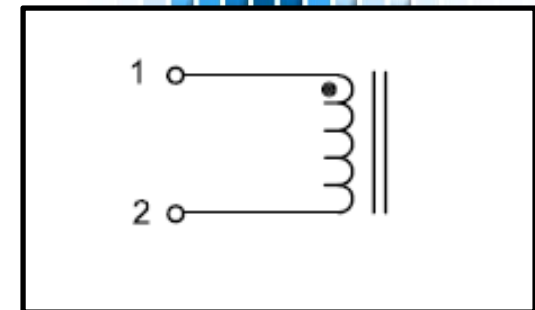
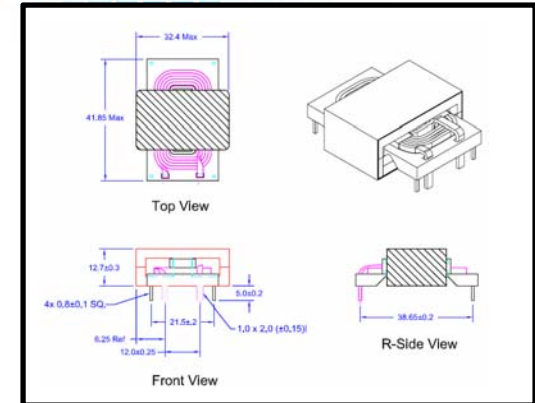


## Description

PI083505 is an inductor. It is PPAP Level 3 capable and RoHS/REACH compliant. It can be used for applications in automotive, telecom, etc. PI083505 or a similar part can be customized to meet your specific needs. If required, please see the Custom Request section.

## Application

PI083505 offers a planar package that is highly efficient, low-profile, and small foot print. It can serve as an excellent solution to power problems that require greater power in a smaller physical package.



## Inductor Characteristics

Operating Frequency

100 KHz

Inductance

3.6  $\mu$ H Min, 4.4  $\mu$ H Nom,

4.4  $\mu$ H Max @ 0ADC

3.2  $\mu$ H Min @ Full Load

Current

13A Nom – 14.4A Max

RDC

(1-2): 25.00 m $\Omega$

Hipot

Winding to Core: 1650 VAC