

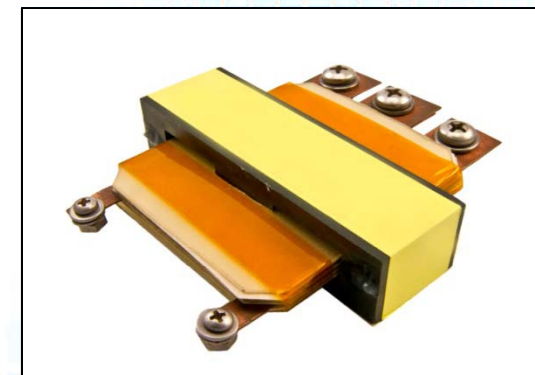
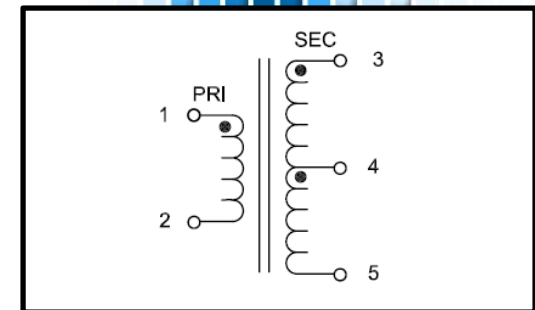
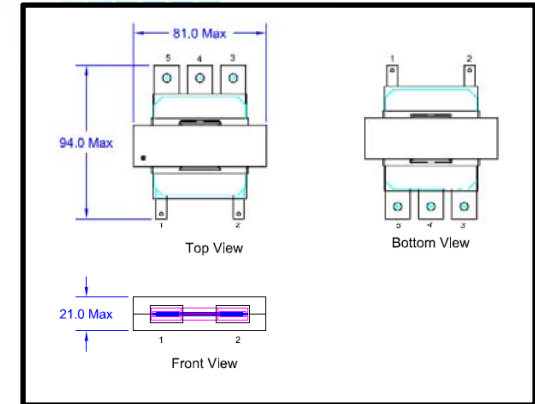


Description

PT073506 is a full bridge planar transformer with a power rating up to 1700W. It is PPAP Level 3 capable and RoHS/REACH compliant. It can be used for applications in automotive, telecom, etc. PT073506 or a similar part can be customized to meet your specific needs. If required, please see the Custom Request section.

Application

PT073506 offers a planar package that is highly efficient, low-profile, and small foot print. It can serve as an excellent solution to power problems that require greater power in a smaller physical package.



Transformer Characteristics

Operating Frequency	40 KHz
Primary/Leakage Inductance	150 μ H Min / 0.15 μ H Max
Input Voltage	80V Min - 134V Max
Output Voltage	40V Min – 67V Max
Power Output	1700W
Rated Secondary Current	25A Min, 30A Nom, 42A Max
RDC	(1-2) 4.0 m Ω Max (3-5) 0.7 m Ω Max
Turns Ratio	(1-2):(3-5) = 4.0:2.0