

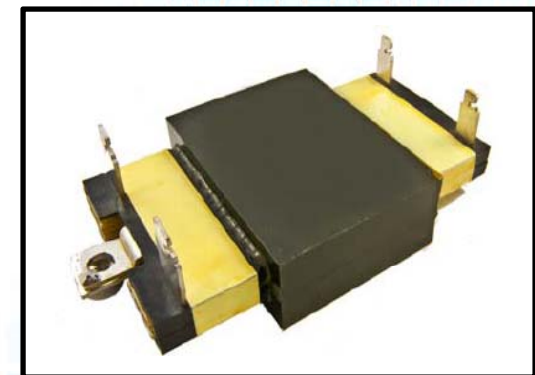
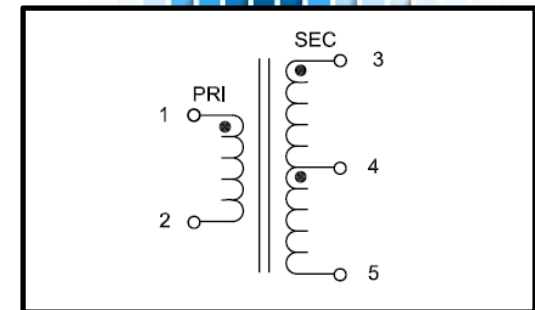
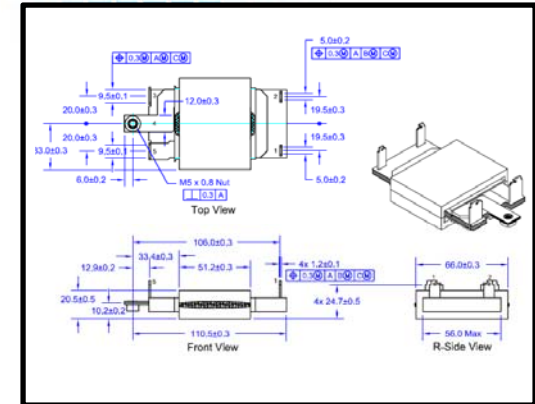


## Description

PT073531 is a full bridge planar transformer with a power rating up to 1700W. It is PPAP Level 3 capable and RoHS/REACH compliant. It can be used for applications in automotive, telecom, etc. PT073531 or a similar part can be customized to meet your specific needs. If required, please see the Custom Request section.

## Application

PT073531 offers a planar package that is highly efficient, low-profile, and small foot print. It can serve as an excellent solution to power problems that require greater power in a smaller physical package.



## Transformer Characteristics

|                            |  |
|----------------------------|--|
| Operating Frequency        | 40 KHz   |
| Primary/Leakage Inductance | 156 $\mu$ H Min / 0.4 $\mu$ H Max                    |
| Input Voltage              | 85V Min - 137V Max                                   |
| Output Voltage             | 42.5V Min – 68.5V Max                                |
| Power Output               | 1700W  |
| Rated Secondary Current    | 24A Min, 30A Nom, 40A Max                            |
| RDC                        | (1-2) 2.2 m $\Omega$ Max<br>(3-5) 0.5 m $\Omega$ Max |
| Turns Ratio                | (1-2):(3-5) = 2.0:1.0                                |