

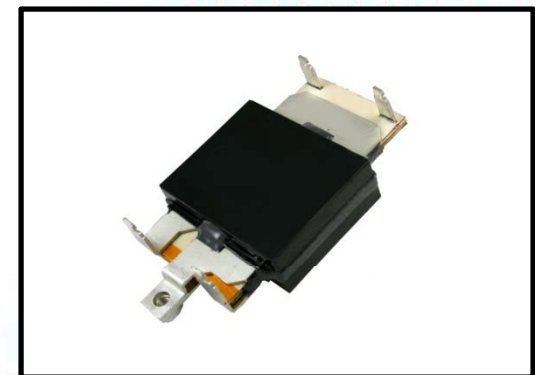
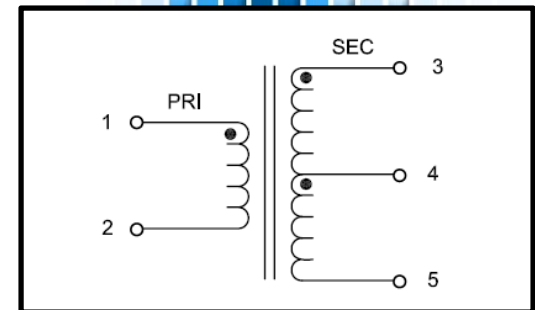
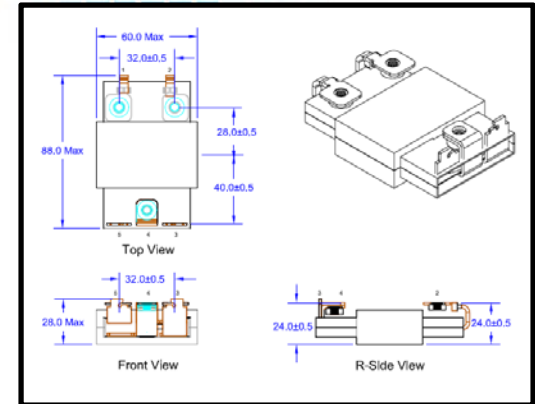


## Description

PT073579 is a full bridge planar transformer with a power rating up to 2200W. It is PPAP Level 3 capable and RoHS/REACH compliant. It can be used for applications in automotive, telecom, etc. PT073579 or a similar part can be customized to meet your specific needs. If required, please see the Custom Request section.

## Application

PT073579 offers a planar package that is highly efficient, low-profile, and small foot print. It can serve as an excellent solution to power problems that require greater power in a smaller physical package.



## Transformer Characteristics

Operating Frequency	100 KHz
Primary/Leakage Inductance	2500 $\mu$ H Min / 5.0 $\mu$ H Max
Input Voltage	260V Min - 420V Max
Output Voltage	27V Min - 60V Max
Power Output	2200W
Rated Secondary Current	36A Min – 85A Max
RDC	(1-2) 11.60 m $\Omega$ Max (3-5) 0.35 m $\Omega$ Max
Turns Ratio	(1-2):(3-5) = 14.0:2.0 Nom