

# PI094303

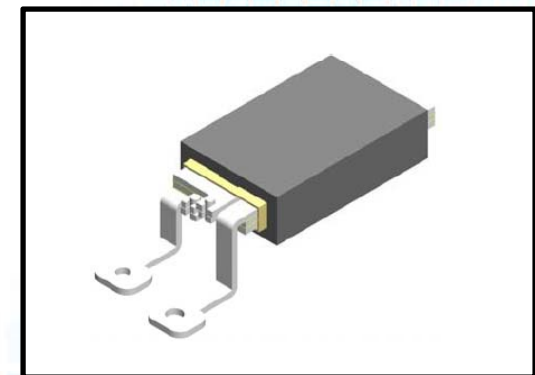
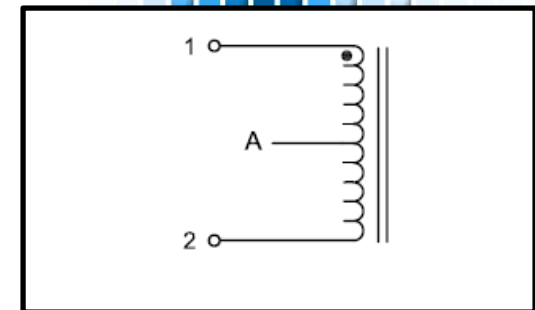
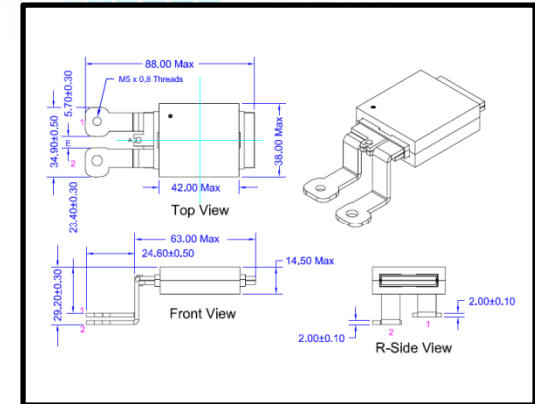


## Description

PI094303 is an inductor. It is PPAP Level 3 capable and RoHS/REACH compliant. It can be used for applications in automotive, telecom, etc. PI094303 or a similar part can be customized to meet your specific needs. If required, please see the Custom Request section.

## Application

PI094303 offers a planar package that is highly efficient, low-profile, and small foot print. It can serve as an excellent solution to power problems that require greater power in a smaller physical package.



## Inductor Characteristics

Operating Frequency

200 KHz

Inductance

2.3  $\mu$ H Min, 2.5  $\mu$ H Nom,  
2.75  $\mu$ H Max @ 0ADC  
2.0  $\mu$ H Min @ Full Load

Current

80A Nom

RDC

(1-2): 0.50 m $\Omega$

Hipot

Winding to Core: 1500 VAC