

PI094304

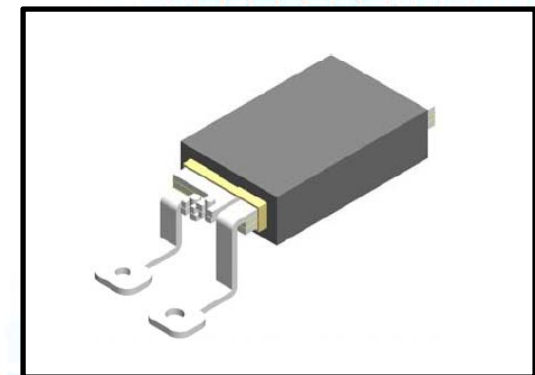
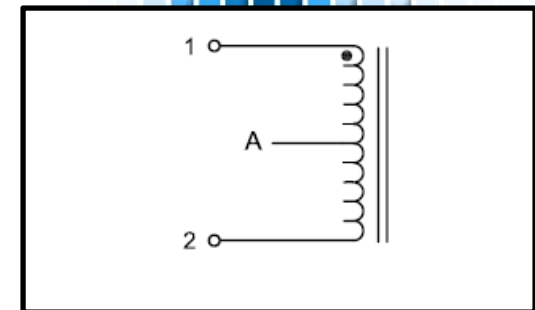
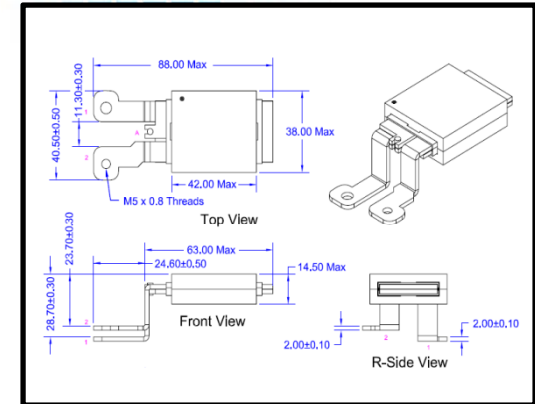


Description

PI094304 is an inductor. It is PPAP Level 3 capable and RoHS/REACH compliant. It can be used for applications in automotive, telecom, etc. PI094304 or a similar part can be customized to meet your specific needs. If required, please see the Custom Request section.

Application

PI094304 offers a planar package that is highly efficient, low-profile, and small foot print. It can serve as an excellent solution to power problems that require greater power in a smaller physical package.



Inductor Characteristics

Operating Frequency	200 KHz
Inductance	2.3 μ H Min, 2.5 μ H Nom, 2.75 μ H Max @ 0ADC 2.0 μ H Min @ Full Load
Current	80A Nom
RDC	(1-2): 0.50 m Ω
Hipot	Winding to Core: 1500 VAC