

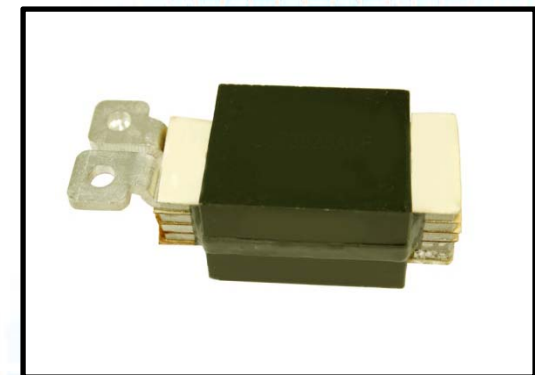
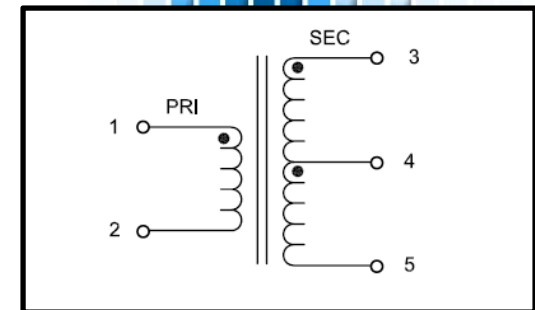
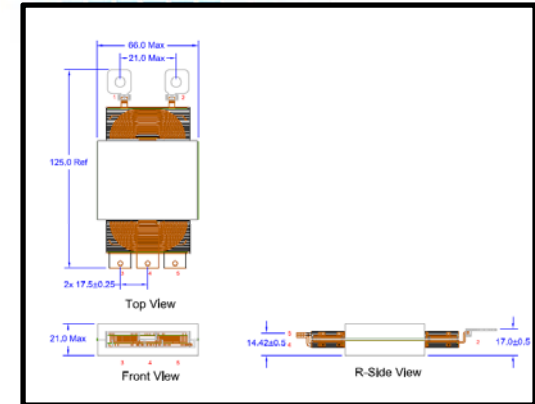


## Description

PT083508 is a full bridge planar transformer with a power rating up to 1100W. It is PPAP Level 3 capable and RoHS/REACH compliant. It can be used for applications in automotive, telecom, etc. PT083508 or a similar part can be customized to meet your specific needs. If required, please see the Custom Request section.

## Application

PT083508 offers a planar package that is highly efficient, low-profile, and small foot print. It can serve as an excellent solution to power problems that require greater power in a smaller physical package.



## Transformer Characteristics

Operating Frequency	62 KHz
Primary/Leakage Inductance	2.0 mH/1.5 $\mu$ H Max
Input Voltage	260V Min – 420V Max
Output Voltage	27V Min – 60V Max
Power Output	1100W
Rated Secondary Current	116A Max
RDC	(1-2): 25 m $\Omega$ Max (3-4),(4-5): 400 $\mu\Omega$ Max
Turns Ratio	(1-2):(3-4),(1-2):(4-5)=14.0:1.0