

# PI113552

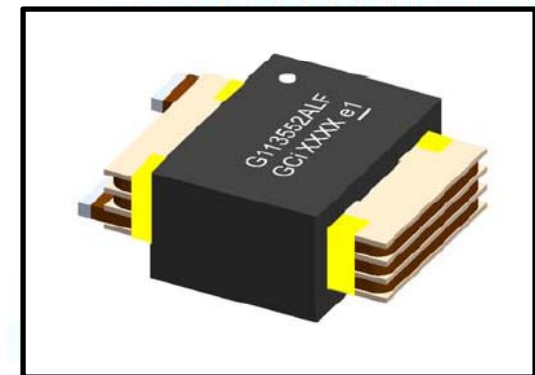
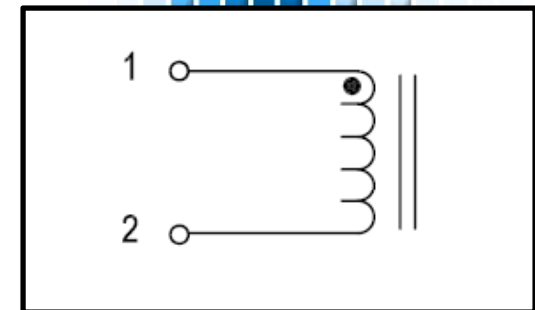
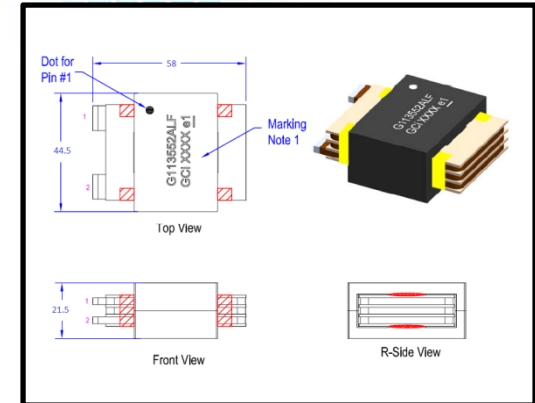


## Description

PI113552 is an inductor. It is PPAP Level 3 capable and RoHS/REACH compliant. It can be used for applications in automotive, telecom, etc. PI113552 or a similar part can be customized to meet your specific needs. If required, please see the Custom Request section.

## Application

PI113552 offers a planar package that is highly efficient, low-profile, and small foot print. It can serve as an excellent solution to power problems that require greater power in a smaller physical package.



## Inductor Characteristics

Operating Frequency	200 KHz
Inductance	3 $\mu$ H @ 0ADC 2.5 $\mu$ H @ 135ADC
RDC	(1-2): 0.5 m $\Omega$ Max
Hipot	Winding to Core: 500 VDC