

PT088212

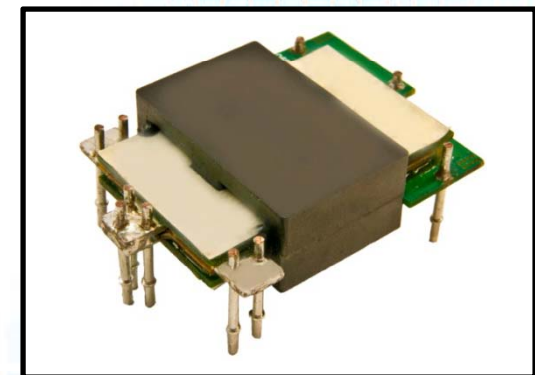
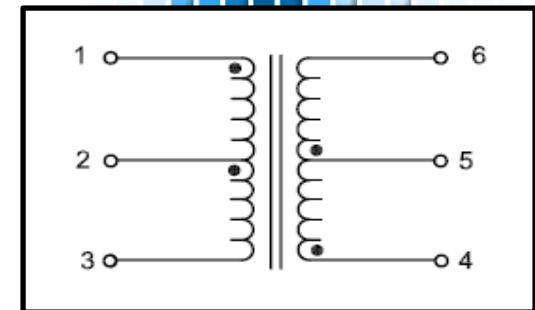
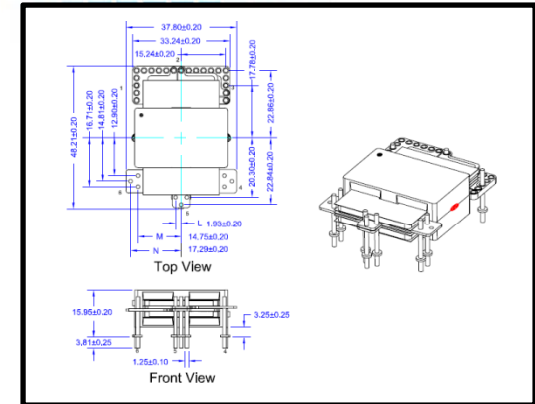


Description

PT088212 is a push-pull planar transformer with a power rating up to 110W. It is PPAP Level 3 capable and RoHS/REACH compliant. It can be used for applications in automotive, telecom, etc. PT088212 or a similar part can be customized to meet your specific needs. If required, please see the Custom Request section.

Application

PT088212 offers a planar package that is highly efficient, low-profile, and small foot print. It can serve as an excellent solution to power problems that require greater power in a smaller physical package.



Transformer Characteristics

Operating Frequency	100 KHz
Primary Inductance	217 μ H Min – 403 μ H max
Leakage Inductance	1.5 μ H Max
Input Voltage	48V Min, 54V Nom, 60V Max
Output Voltage	3.7V
Power Output	110W
Rated Secondary Current	30A
RDC	(1-3): 75 m Ω Max (4-6): 0.65 m Ω Max