

# PT094021

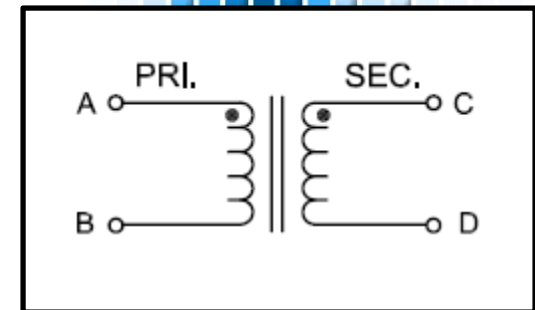
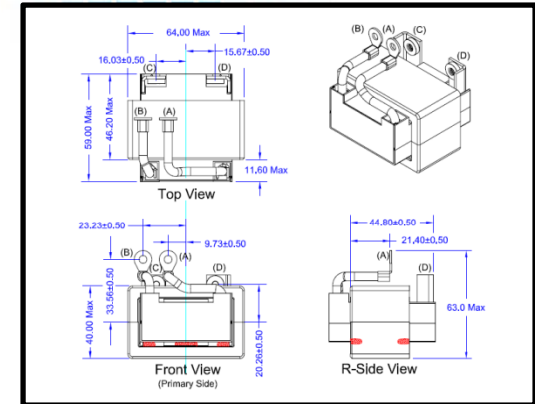


## Description

PT094021 is a full bridge planar transformer with a power rating up to 3000W. It is PPAP Level 3 capable and RoHS/REACH compliant. It can be used for applications in automotive, telecom, etc. PT094021 or a similar part can be customized to meet your specific needs. If required, please see the Custom Request section.

## Application

PT094021 offers a planar package that is highly efficient, low-profile, and small foot print. It can serve as an excellent solution to power problems that require greater power in a smaller physical package.



## Transformer Characteristics

Operating Frequency	100 KHz
Primary/Leakage Inductance	168 $\mu$ H Min / 5.0 $\mu$ H Max
Input Voltage	85V Min - 160V Max
Output Voltage	28V
Power Output	3000W
Rated Secondary Current	105A
RDC	(A-B) 1.50 m $\Omega$ Max (C-D) 0.17 m $\Omega$ Max
Turns Ratio	(A-B):(C-D) = 5.0:2.0 Nom