

# PT094144

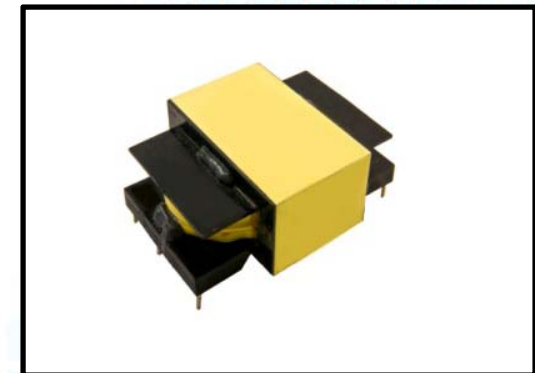
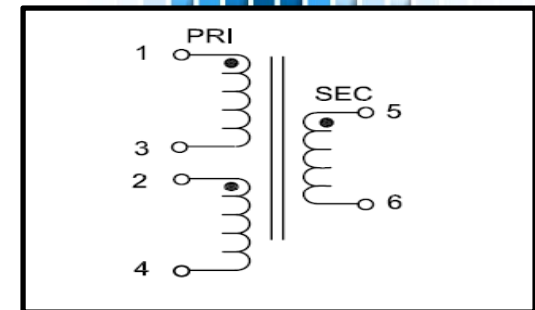
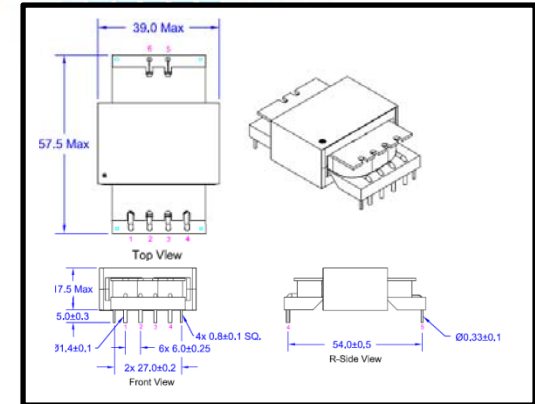


## Description

PT094144 is a full bridge planar transformer with a power rating up to 200W. It is PPAP Level 3 capable and RoHS/REACH compliant. It can be used for applications in automotive, telecom, etc. PT094144 or a similar part can be customized to meet your specific needs. If required, please see the Custom Request section.

## Application

PT094144 offers a planar package that is highly efficient, low-profile, and small foot print. It can serve as an excellent solution to power problems that require greater power in a smaller physical package.



## Transformer Characteristics

Operating Frequency	30KHz Min – 120KHz Max
Primary/Leakage Inductance	50 $\mu$ H Min/0.50 $\mu$ H Max
Input Voltage	28V Min, 35V Nom, 42V Max
Output Voltage	375V Nom
Power Output	200W
Rated Secondary Current	0.6A Nom – 1.1A Max
RDC	(1-3): 20 m $\Omega$ (2-4): 20 m $\Omega$ (5-6): 200 m $\Omega$