

PT108134

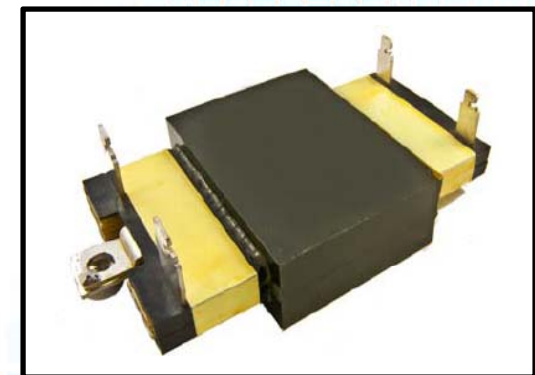
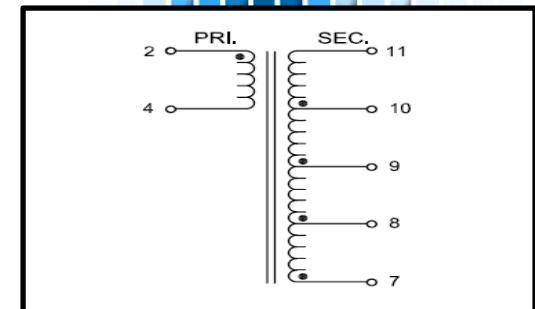
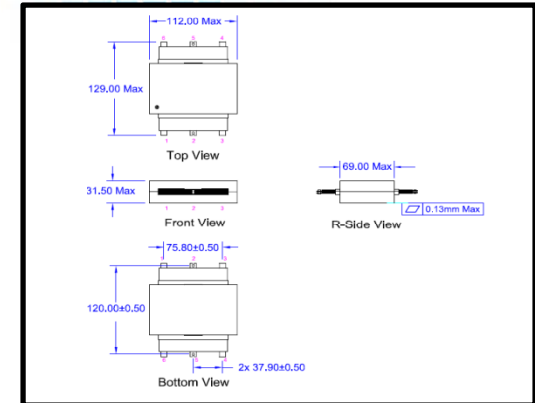


Description

PT108134 is a full bridge planar transformer with a power rating up to 8000W. It is PPAP Level 3 capable and RoHS/REACH compliant. It can be used for applications in automotive, telecom, etc. PT108134 or a similar part can be customized to meet your specific needs. If required, please see the Custom Request section.

Application

PT108134 offers a planar package that is highly efficient, low-profile, and small foot print. It can serve as an excellent solution to power problems that require greater power in a smaller physical package.



Transformer Characteristics

Operating Frequency	100 KHz
Primary/Leakage Inductance	1100 μ H Min / 8.0 μ H Max
Input Voltage	400V Nom
Output Voltage	400V Nom
Power Output	8000W
Rated Secondary Current	20A Nom
RDC	(1-3) 13.60 m Ω Nom (4-6) 13.60 m Ω Nom
Turns Ratio	(1-3):(4-6) = 4.0:4.0