

PTI075005

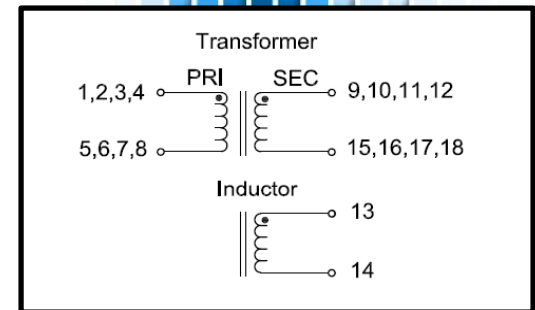
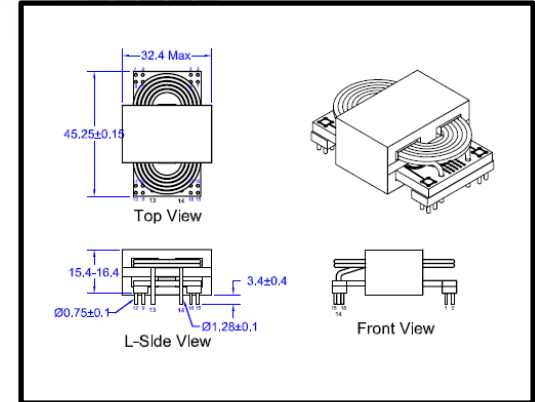


Description

PTI075005 is a planar transformer with a power rating up to 203W. It is PPAP Level 3 capable and RoHS/REACH compliant. It can be used for applications in automotive, telecom, etc. A similar part can be customized to meet your specific needs. If required, please see the Custom Request section. Part also has inductor characteristics

Application

PTI0075005 offers a planar package that is highly efficient, low-profile, and small foot print. It can serve as an excellent solution to power problems that require greater power in a smaller physical package.



Transformer Characteristics

Operating Frequency	200 KHz
Primary/Leakage Inductance	75 μ H Min/0.1 μ H Max
Input Voltage	36V Min, 51V Nom, 66V Max
Output Voltage	28.2V Nom
Power Output	203W
Rated Secondary Current	7.2A Nom
RDC	(PRI): 11 m Ω Max (SEC): 25 m Ω Max
Turns Ratio	(PRI to SEC)=1.0:1.5