

# PT113026

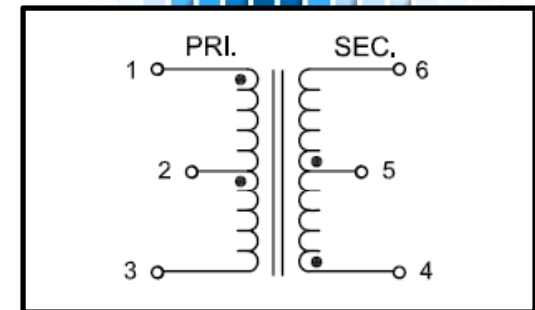
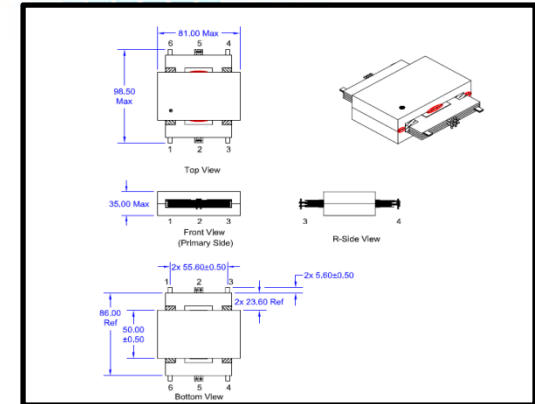


## Description

PT113026 is a full bridge planar transformer with a power rating up to 4000W. It is PPAP Level 3 capable and RoHS/REACH compliant. It can be used for applications in automotive, telecom, etc. PT113026 or a similar part can be customized to meet your specific needs. If required, please see the Custom Request section.

## Application

PT113026 offers a planar package that is highly efficient, low-profile, and small foot print. It can serve as an excellent solution to power problems that require greater power in a smaller physical package.



## Transformer Characteristics

Operating Frequency	100 KHz
Primary/Leakage Inductance	640 $\mu$ H Min / 1.5 $\mu$ H Max
Input Voltage	400V
Output Voltage	400V
Power Output	4000W
Rated Secondary Current	42A Min, 50A Nom, 90A Max
RDC	(1-3) 12.70 m $\Omega$ Max (4-6) 12.70 m $\Omega$ Max
Turns Ratio	(1-3):(4-6) = 16.0:16.0