

# PT118070

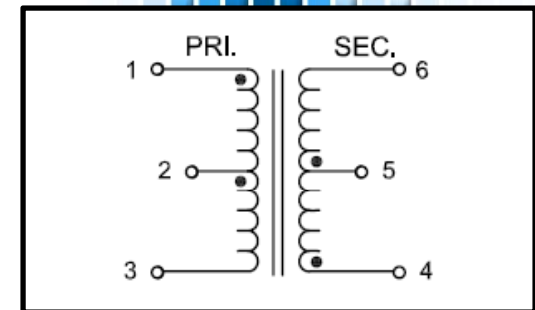
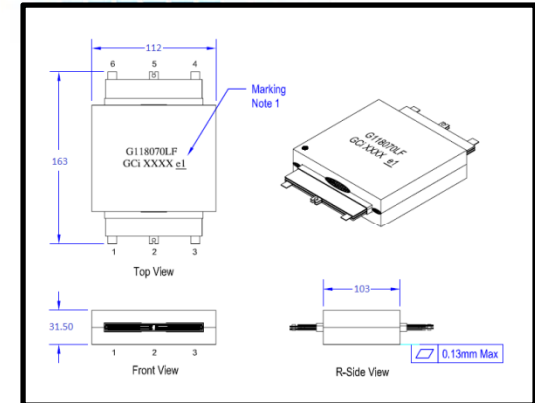


## Description

PT118070 is a full bridge planar transformer with a power rating up to 7500W. It is PPAP Level 3 capable and RoHS/REACH compliant. It can be used for applications in automotive, telecom, etc. PT118070 or a similar part can be customized to meet your specific needs. If required, please see the Custom Request section.

## Application

PT118070 offers a planar package that is highly efficient, low-profile, and small foot print. It can serve as an excellent solution to power problems that require greater power in a smaller physical package.



## Transformer Characteristics

Operating Frequency	40 KHz
Primary/Leakage Inductance	800 $\mu$ H Min / 8 $\mu$ H Max
Power Output	7500W
RDC	(1-3) 9.0 m $\Omega$ Nom (4-6) 9.0 m $\Omega$ Nom
Turns Ratio	(1-3):(4-6) = 1.0:1.0
Hipot	3500 VDC @ 3 mA