

PT127115

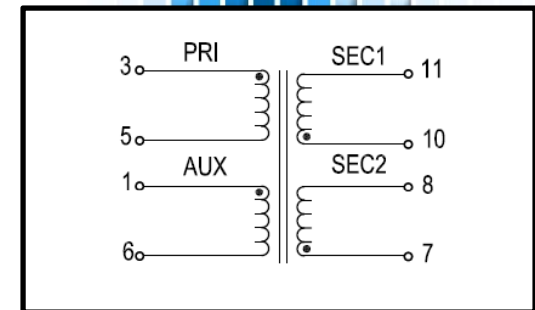
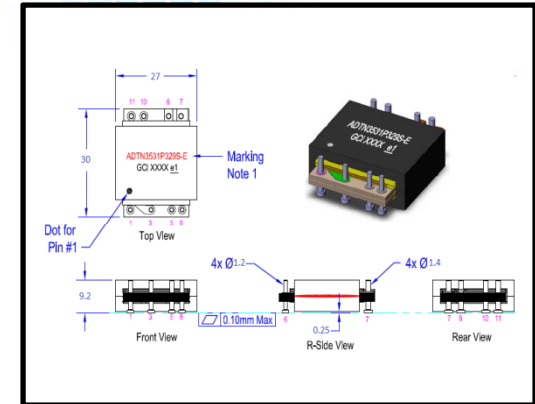


Description

PT127115 is a forward planar transformer with a power rating up to 150W. It is PPAP Level 3 capable and RoHS/REACH compliant. It can be used for applications in automotive, telecom, etc. PT127115 or a similar part can be customized to meet your specific needs. If required, please see the Custom Request section.

Application

PT127115 offers a planar package that is highly efficient, low-profile, and small foot print. It can serve as an excellent solution to power problems that require greater power in a smaller physical package.



Transformer Characteristics

Operating Frequency	300 KHz
Primary/Leakage Inductance	98 μ H Min/0.6 μ H Max
Power Output	150W
RDC	(3-5): 20 m Ω Max (1-6): 300 m Ω Max (7-8),(10-11): 2 m Ω Max
Turns Ratio	(3-5):(7-8)=3:1 (3-5):(10-11)=1.5:1 (3-5):(1-6)=1.5:1