

2VS AC PLANAR INDUCTOR, CONVECTION COOLED

Model no: PI073588LF

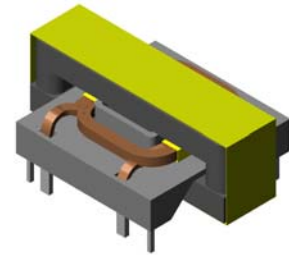
Operating Frequency: 100 KHz Nom

Inductance: 9.9 μ H Min, 11 Nom, 12.1 Max @ 0ADC
9.0 μ H Max @ full load

Current: 11.7A Nom, 12.9A Max full load

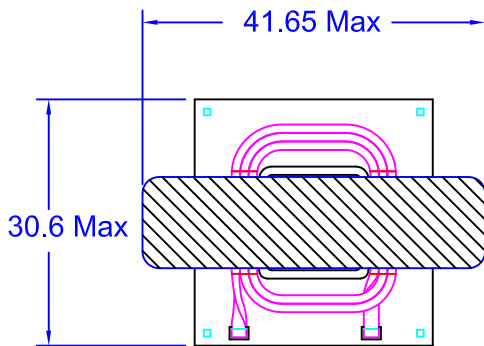
RDC: (1-2): 25.0 m Ω Max

Hipot: Winding to Core: 1,650 VAC

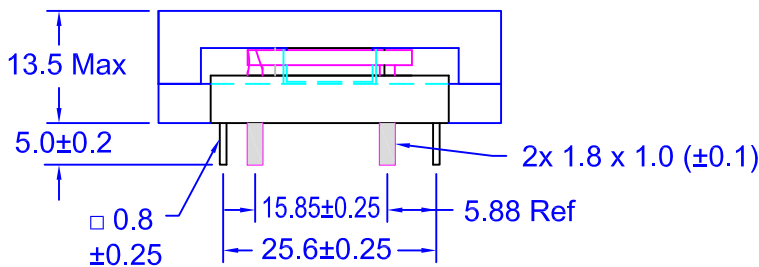
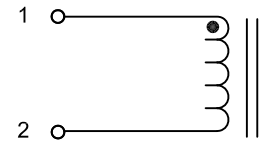
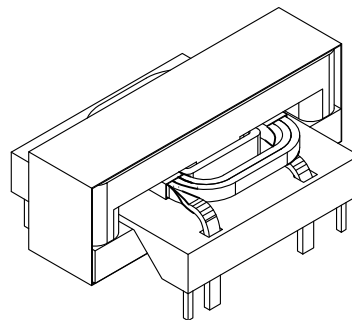


Mechanical Characteristics (mm):

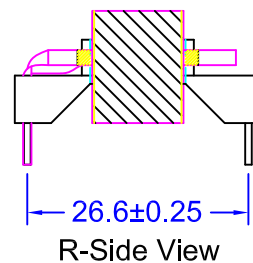
Schematic:



Top View



Front View



R-Side View

